

TeamBoard TecTern



TeamBoard TecTern—putting technology at the presenter's finger tips

The TecTern Technology Lectern is an exciting development for interactive presentations. Today's presenters are required to have stimulating graphic support to ensure their ideas are clearly understood. This calls for the use of technology at the lectern, and TecTern answers that call by integrating contemporary design with logical technology management and dynamic height adjustment, all at the presenter's fingertips.

Dynamic height adjustment

Presenters may be seated or standing with TecTern, with a full 18" range of powered height adjustment controlled with the press of a finger. The OVO design modesty panel moves with the TecTern top, maintaining a simple and pleasing appearance at any height, seated or standing. The electronically height adjustable center column makes TecTern an ideal choice for wheelchair access with A.D.A. compliance.

Integrated Technology Management

Lid closed, TecTern is in its simplest form—a flat, clean top with a document rail. Opening (or simply lifting off) the bi-fold lid reveals many features: a laptop tray, a spacious cavity for connections and cable management and room for TeamBoard FingerTouch Monitor. It's simple to make adjustments to the laptop by opening the front door and swinging it under the TecTern cavity, where powerful magnets ensure the door stays open until you are ready to close it.

Mobility & Positioning

TecTern's steel base ensures stability and the easy-roll casters make it easy to tip and walk the TecTern to a new location, or to simply pivot TecTern where it sits.

Interactive Presentation Control with TecTern Total

Interactive presentations are now possible even in lecture halls, theatres, and other large-audience settings. Fully integrated into the unit, TecTern now has an optional built-in, finger touch display that allows presenters to control their large-screen presentation, eliminating the need for a mouse or remote and adding functionality to make your presentations come alive with digital ink annotations and more all with the touch of a finger. Included TeamBoard Draw software provides annotation and many other vital presentation tools.

TEAM
BOARD

easy™
does it.

TeamBoard TecTern

TLTLCLEM

TecTern

Technology Lectern,
Charcoal/EganMetallic
Modesty Panel

TLTTCLEM

TecTern Total—the TecTern,
integration kit and Finger
Touch Monitor

TLIK

TecTern technology
integration kit
(cables, mount)

TPMT19

Finger Touch Monitor



Features

Benefits

TecTern

TecTern Total

✓ Finger touch electric height adjustment	<ul style="list-style-type: none"> > Electrically height adjustable center column is ADA compliant making TecTern an ideal choice for wheelchair access > Contemporary and ergonomic designed button, allowing presenter to control height of lectern with a push of this button > No interruption of the flow of the presentation
✓ Bi-fold scissor lid	<ul style="list-style-type: none"> > Provides easy access to technology including laptop and Finger Touch Monitor > When closed, the flat surface offers a document rail for notes, and is suitable for mouse use > The bi-fold feature keeps the lid profile low when in the open position, to avoid a visual barrier between presenter and audience
✓ Magnetic front panel	<ul style="list-style-type: none"> > Front access door is magnetic and fastens in place, avoiding any flapping doors that could draw attention away from the presentation
✓ Modesty panel	<ul style="list-style-type: none"> > The OVO design modesty panel moves with the TecTern top maintaining a simple and pleasing appearance at any height
✓ Cavity below deck	<ul style="list-style-type: none"> > Accommodation below deck to store laptop and all the connections, power supplies and cable management required for the presentation
✓ Locking capability	<ul style="list-style-type: none"> > Locking security, keeping all equipment safe
✓ Heavy base	<ul style="list-style-type: none"> > Keeps TecTern stabilized in location
✓ Easy Roll Casters	<ul style="list-style-type: none"> > Allows the TecTern to relocate when necessary
✓ Colors	<ul style="list-style-type: none"> > Customize your colors: TecTern crown and modesty panel may be specified in any of the Egan Etex colors independently; see price list. Base is always charcoal
✓ Design room on front of TecTern	<ul style="list-style-type: none"> > Up to 15" wide and 12" high space on front panel of TecTern available for a company logo or crest
✓ Finger touch monitor (19"/16:10)	<ul style="list-style-type: none"> > Allows finger touch interactive control of a presentation right at the display—no need to walk around the room with a pointer > 19" display permits easy visibility of the presentation while still facing the audience > Command the presentation easily and smoothly with the touch of a finger and without a mouse, remote or a helper > 16:10 native aspect ration matches that of modern projectors, but also works with 4:3 or 16:9 presentations
✓ Screen adjustment	<ul style="list-style-type: none"> > The finger touch display is fully integrated into TecTern, cables and repositionable hardware mount > The 10-45° tilt range allows full visibility and multiple presenter angles or TecTern heights to suit each presenter's preference
✓ TeamBoard Draw software	<ul style="list-style-type: none"> > Permits digital ink annotations at the touch of a finger > Easily save your notes for distribution later > Many other presentation tools included for dynamic interaction



Customize your colors: TecTern crown and modesty panel may be specified in any of the Egan Etex colors independently; see price list. Base is always charcoal



Design Intent

TecTern incorporates contemporary lectern design with *easy does it* technology management and height adjustment. With the Finger Touch Monitor, interactive control of the presentation is simple even in large audience environments.

Operating Specifications–TecTern

Functionalities	Non interactive—open or closed at multiple heights Fully interactive—when equipped with Finger Touch Monitor (bundled or sold separately)
Construction	Designed, engineered and manufactured in North America Robust steel and wood construction Etex finish with custom colors available
Warranty	5 years (lectern materials and workmanship only —see published price and specifications guide) 2 years (powered lift mechanism)
Electric Lift	Recommended usage range 18” Lift capacity rating of 132 lbs Duty cycle 10%/hour at 100% capacity
Certifications or Compliances	Americans with Disabilities Act (A.D.A.) Compliant The management systems governing the design and manufacture of this product are ISO 9001:2008 and ISO 14001:2001 certified

Operating Specifications–Optional Finger Touch Monitor

Functionalities	Standard LCD high resolution monitor Full interactive touchscreen (finger touch) No pen required; stylus use optional Inputs: DVI-D, VGA 15 pin D-sub, USB
Image Specifications	Size: 19” viewable image area Pixel pitch: 0.284mm Brightness: 300 cd/m2 typical Contrast ratio: 700:1 Viewing angle: 160° vertical; 170° horizontal Response time: 5ms
Resolution	1440 x 900 @ 60 Hz native
Aspect Ratio	16:10 widescreen format, thin-frame (bezel)
Power Specifications	42W / 2W 110/240V (50/60Hz Power consumption operational) Standby/sleep 2 watts
Software	Certified TeamBoard Suite compliant ISO 13406-2 Class II, Windows Vista, Windows 7 compliant
Environment Conditions	Operating: 5-35° C / 41-95° F Humidity tolerance: 10-80% Altitude: 3048m /10,000 ft Storage temperature: -10-60° C /14-140° F Storage humidity: 10-85% non-condensing Storage altitude: 12,192m / 40,000 ft.
Warranty	Limited Warranty – North America: 2 years parts and labor, including backlight Limited Warranty – Rest of the World: call to inquire

Your finger is the mouse!



Key Features

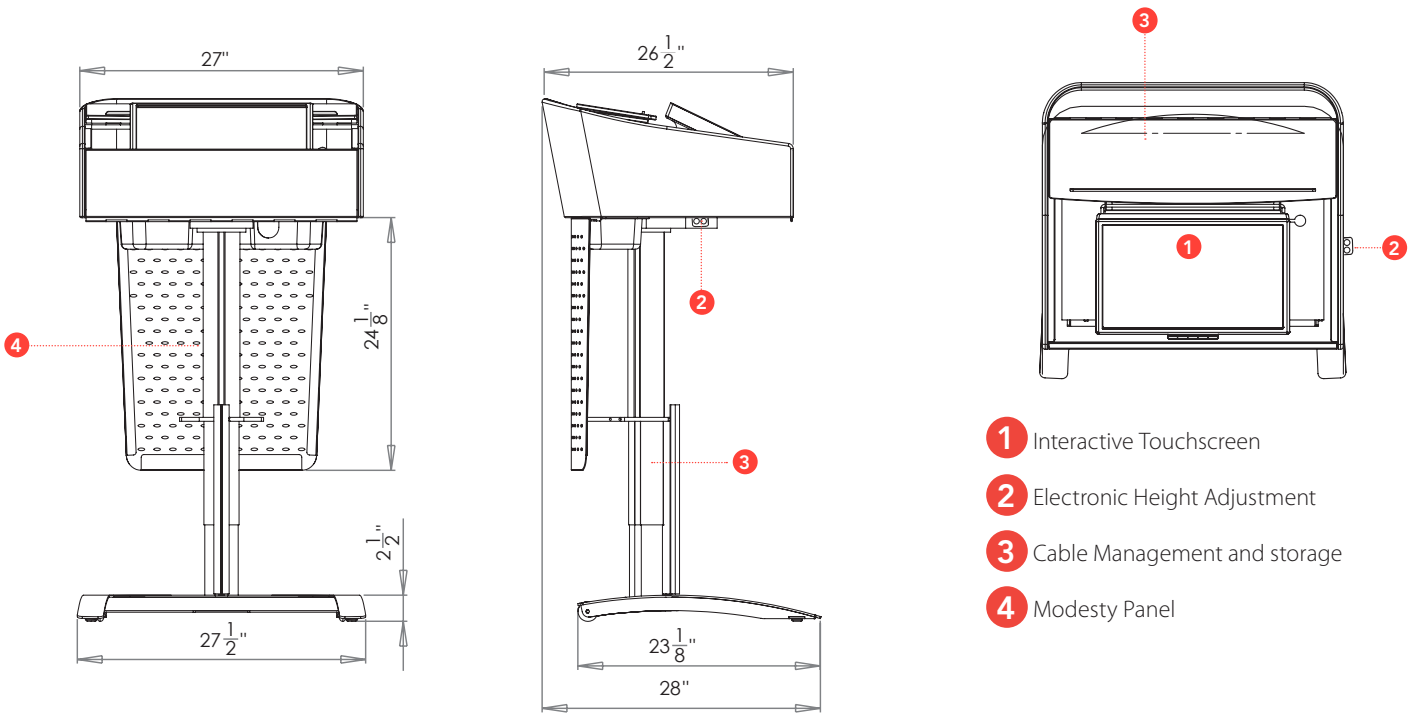
At your finger tip control: Adjustable working height with the touch switch. Control computer presentations and applications with available touch sensitive display. Your finger is the mouse.

Wheelchair accessible: A.D.A. compliant—the TecTern is ideal where users of different stature will work with the lectern.

Contemporary design: Sleek, modern design with minimalist appearance suits any presentation situation.

No Hassle: If you have any problems, pick up the phone and let us know. We expect and need our customers to be delighted with our products and services.





- 1 Interactive Touchscreen
- 2 Electronic Height Adjustment
- 3 Cable Management and storage
- 4 Modesty Panel

What's in the box...

TecTern (TLTLCLEM)

- TecTern Technology lectern, fully assembled and finished including powered height adjustment
- Quickstart Guide
- Owner's manual

TecTern Total (TLTTCLEM)

- TecTern as described above
- Technology Integration kit, pre-installed into TecTern
- Finger Touch Monitor, pre-installed into TecTern
- TeamBoard Draw software (Windows, Mac OSX, Linux)

TecTern Integration Kit (TLIK)

- Installation brackets
- Cable and video splitter
- 110V AC expander

Finger Touch Monitor (TPMT19)

- 19" Widescreen Finger Touch Monitor
- TeamBoard Draw Software

Not included with any of the above:

Extension cord (required) to supply power from outlet to TecTern, computer, wheelchair, data projector

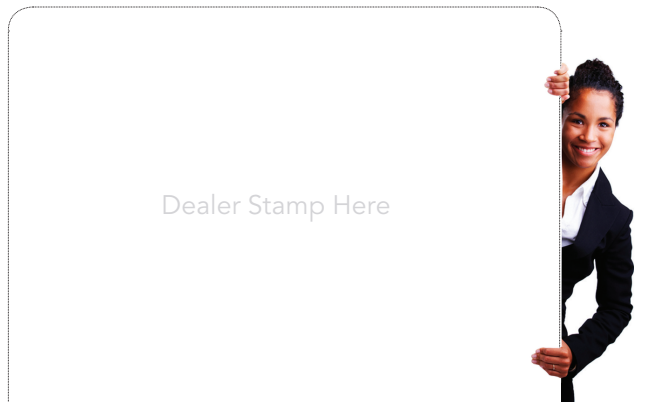
Dimensional Details

Extended: 27 1/2"W x 52 1/2"H x 28"D
(700mm x 1333mm x 711mm)

Compact: 27 1/2"W x 34 1/2"H x 28"D
(700mm x 876mm x 711mm)

Weight: (Approx.) 150 lbs. (68kg)

Shipping box: (Approx.) 29 1/2"W x 37"H x 30"D
749.3mm x 939.8mm x 762mm



Designed and manufactured in North America by Egan TeamBoard, leaders in the Interactive Whiteboard marketplace for 15 years. TeamBoard is part of the Egan Visual family, designers and manufacturers of visual communication products for over 40 years. You can count on TeamBoard products to be well-designed and well-built for years of hassle-free enjoyment.

Environmentally responsible design, quality, cost and timeliness. Egan TeamBoard has been certified by UL™ to have established, documented, implemented and maintain a Quality Management System as well as an Environmental Management System, and is registered to the ISO 9001:2008 and ISO 14001:2004 standards.



Egan TeamBoard, Inc.
International

Tel +1-905-851-2826
Fax +1-905-851-3426

www.egan.com
www.teamboard.com

Egan TeamBoard, Inc.
US Eastern / Central States & Canada

Tel +1-905-851-2826 1-800-263-2387
Fax 1-888-609-8886

sales@teamboard.com

Egan TeamBoard, Inc.
US Mountain and Western States

Tel +1-323-720-1336 1-800-826-1778
Fax 1-800-726-1314

support@teamboard.com

