

TeamBoard TecTern



TeamBoard TecTern—putting technology at the presenter's finger tips

The TecTern Technology Lectern is an exciting development for interactive presentations. Today's presenters are required to have stimulating graphic support to ensure their ideas are clearly understood especially in large venues like lecture halls. This calls for the use of technology at the lectern, and TecTern answers that challenge by integrating contemporary design with logical technology management and dynamic height adjustment, all at the presenter's fingertips.

Dynamic Height Adjustment

Presenters may be seated or standing at TecTern, with a full 12" range of powered height adjustment controlled with the press of a finger. The modesty panel/cable manager moves with the TecTern top, maintaining a simple and pleasing appearance at any height, seated or standing. The electronically height adjustable center column makes TecTern an ideal choice for wheelchair access with A.D.A. compliance.

Integrated Technology Management

Lid closed, TecTern is in its simplest form—a flat, clean top with a document rail. Opening (or simply lifting off) the bi-fold lid reveals many features: a laptop tray, a spacious cavity for connections and cable management and room for TeamBoard Finger Touch Monitor. It's simple to make adjustments to the laptop by opening the front door and swinging it under the TecTern cavity, where powerful magnets ensure the door stays open until you are ready to close it.

Mobility & Positioning

TecTern's steel base ensures stability and the easy glide feature makes it easy to transport the TecTern to a new location, or to simply pivot TecTern on its base where it sits.

Interactive Presentation Control with TecTern Total

Interactive presentations are now possible in lecture halls, theatres, and other large-audience settings. Fully integrated into the unit, TecTern has an optional built-in, finger touch display. This allows presenters to control their large-screen presentation, eliminating the need for a mouse, remote or keyboard. TecTern adds functionality to make your presentations come alive with digital ink annotations and more, all with the touch of a finger. The included TeamBoard Draw Software provides annotation and many other vital presentation tools.

TEAM
BOARD

easy
does it.®

TeamBoard TecTern

Product Codes

TecTern with LapTop Shelf

TLLS Series

TecTern with Finger Touch
Monitor

TLTM Series

Custom configurations
are available

Please also visit
www.teamboard.com/library



Features

Benefits

TecTern TecTern Total	✓ Finger Touch electric height adjustment	<ul style="list-style-type: none"> > Electronically height adjustable center column is A.D.A. compliant making TecTern an ideal choice for wheelchair access > Contemporary and ergonomic designed buttons, allowing presenter to control height of lectern with a push of a finger > No interruption of the flow of the presentation
	✓ Bi-fold work surface lid	<ul style="list-style-type: none"> > Provides easy access to technology including laptop and Finger Touch Monitor > When closed, the flat surface offers a document rail for notes, and is suitable for mouse use. The hard surface is also suitable as a writing deck. > The bi-fold feature keeps the lid profile low when in the open position, to avoid a visual barrier between presenter and audience
	✓ Front access panel	<ul style="list-style-type: none"> > The front access door folds neatly away and fastens in place, avoiding any flapping doors that could draw attention away from the presentation
	✓ Modesty panel	<ul style="list-style-type: none"> > The modesty panel moves with the TecTern top maintaining a simple and pleasing appearance at any height
	✓ Cavity below deck	<ul style="list-style-type: none"> > Accommodation below deck to store laptop and all the connections, power supplies and cable management required for the presentation
	✓ Large drawer	<ul style="list-style-type: none"> > The drawer keeps laptop (not included) tucked away and slides out for easy access.
	✓ Locking capability	<ul style="list-style-type: none"> > Locking security, keeping all equipment safe
	✓ Heavy base	<ul style="list-style-type: none"> > Keeps TecTern stabilized in location
	✓ Easy Glide	<ul style="list-style-type: none"> > Allows the TecTern to relocate and reposition when necessary
	✓ Colors	<ul style="list-style-type: none"> > Customize your colors: TecTern crown and modesty panel may be specified in any of the Egan Etex colors independently; modesty panel veneer options available
	✓ Design room on front of TecTern	<ul style="list-style-type: none"> > Up to 15" wide and 12" high space on front panel of TecTern available for a custom, factory-installed company logo or crest
	✓ Finger Touch Monitor (19"/16:10)	<ul style="list-style-type: none"> > Allows finger touch interactive control of a presentation right at the display –no need to walk around the room with a pointer > 19" display permits easy visibility of the presentation while facing the audience. 16:10 native aspect ratio matches that of modern projectors, but also works with 4:3 or 16:9 presentations > Command the presentation easily and smoothly with the touch of a finger and without a mouse, remote, keyboard or a helper
	✓ Screen adjustment	<ul style="list-style-type: none"> > The finger touch display is fully integrated with the TecTern, cables and repositionable hardware mount > The 10-45° tilt range allows full visibility and multiple presenter angles or TecTern heights to suit each presenter's preference
✓ TeamBoard Draw software	<ul style="list-style-type: none"> > Permits digital ink annotations at the touch of a finger > Easily save your notes for distribution later in popular file formats > Many other presentation tools included for dynamic interaction 	



Customize your colors: TecTern crown and modesty panel may be specified in any of the Egan Etex colors or wood veneer independently; see price list.



Design Intent

TecTern incorporates contemporary lectern design with *easy does it* technology management and height adjustment. With the Finger Touch Monitor, interactive control of the presentation is simple even in large audience environments.

Operating Specifications – TecTern

Functionalities	Non interactive—open or closed at multiple heights Fully interactive—when equipped with Finger Touch Monitor (bundled or sold separately)
Construction	Designed, engineered and manufactured in North America Robust steel, wood and ABS plastic construction Etex finish with custom colors available
Warranty	5 years (lectern materials and workmanship only —see published price and specifications guide) 2 years (powered lift mechanism)
Electric Height Adjustment	Recommended usage range 12" Lift capacity rating of 132 lbs Duty cycle 10%/hour at 100% capacity
Certifications or Compliances	Americans with Disabilities Act (A.D.A.) Compliant The management systems governing the design and manufacture of this product are ISO 9001:2008 and ISO 14001:2001 certified

Operating Specifications – Optional Finger Touch Monitor

Functionalities	Standard LCD high resolution monitor Full interactive touchscreen (finger touch) No pen required; stylus use optional Inputs: DVI-D, VGA 15 pin D-sub, USB
Image Specifications	Size: 19" viewable image area Pixel pitch: 0.284mm Brightness: 300 cd/m2 typical Contrast ratio: 700:1 Viewing angle: 160° vertical; 170° horizontal Response time: 5ms
Resolution	1440 x 900 @ 60 Hz native
Aspect Ratio	16:10 widescreen format, thin-frame (bezel)
Power Specifications	42W / 2W 110/240V (50/60Hz Power consumption operational) Standby/sleep 2 watts
Software	Certified TeamBoard Suite compliant ISO 13406-2 Class II, Windows Vista, Windows 7 compliant
Environment Conditions	Operating: 5-35° C / 41-95° F Humidity tolerance: 10-80% Altitude: 3048m /10,000 ft Storage temperature: -10-60° C /14-140° F Storage humidity: 10-85% non-condensing Storage altitude: 12,192m / 40,000 ft.
Warranty	Limited Warranty – North America: 2 years parts and labor, including backlight Limited Warranty – International warranties: call to inquire

Your finger is the mouse!



Key Features

Finger Touch Control:

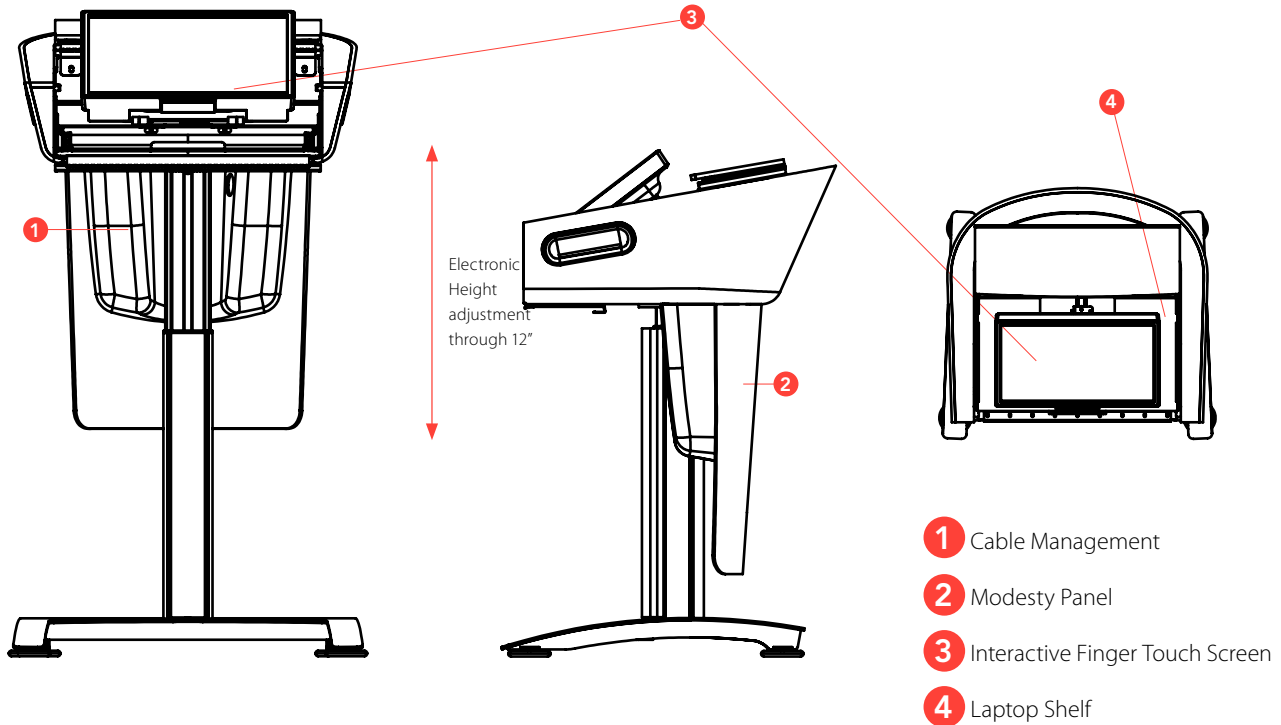
Adjustable working height with the touch switch. Control computer presentations and applications with available touch sensitive display. Your finger is the mouse.

Wheelchair accessible: A.D.A. Compliant Universal Accessibility. The TecTern is ideal where users of different stature will work with the lectern.

Contemporary design: Sleek, modern design with minimalist appearance suits any presentation situation.

No Hassle: If you have any problems, pick up the phone and let us know. We expect and need our customers to be delighted with our products and services.





What's in the box...

TecTern with Laptop Shelf (TLLS)

- TecTern Technology Lectern, fully assembled and finished including powered height adjustment
- Quickstart guide
- Owner's manual

TecTern with Finger Touch Monitor (TLTM)

- TecTern as described above
- Technology Integration kit, pre-installed into TecTern
- Finger Touch Monitor, pre-installed into TecTern
- TeamBoard Draw Software (Windows, Mac OSX, Linux)

TecTern Integration Kit (TPMT19TLIK)

- Installation brackets
- Cable and video splitter
- 110V AC expander

Finger Touch Monitor (TPMT19)

- 19" Widescreen Finger Touch Monitor
- TeamBoard Draw Software

Not included with any of the above:

Extension cord (required) to supply power from outlet to TecTern, computer, wheelchair, data projector

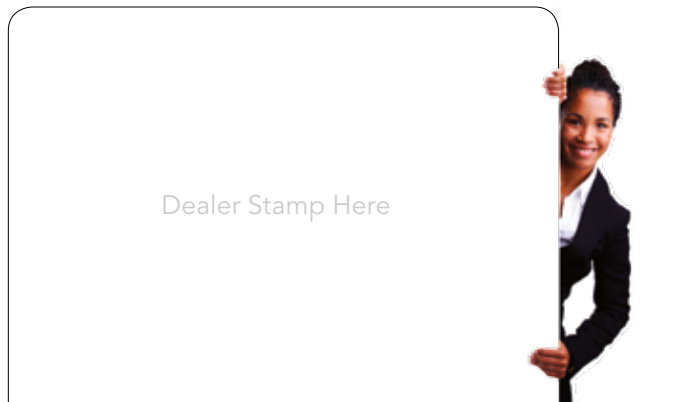
Dimensional Details

Extended: 27¹/₂"W x 52¹/₂"H x 28"D
(700mm x 1333mm x 711mm)

Compact: 27¹/₂"W x 34¹/₂"H x 28"D
(700mm x 876mm x 711mm)

Weight: (Approx.) 150 lbs. (68kg)

Shipping box: (Approx.) 29¹/₂"W x 37"H x 30"D
749.3mm x 939.8mm x 762mm



Designed and manufactured in North America by Egan TeamBoard Inc., leaders in the Interactive Whiteboard marketplace for 15 years. TeamBoard is part of the Egan Visual family, designers and manufacturers of visual communication products for over 40 years. You can count on TeamBoard products to be well-designed and well-built for years of hassle-free enjoyment.

Environmentally responsible design, quality, value and timeliness. Egan TeamBoard Inc. has been certified by UL™ to have established, documented, implemented and continuously maintains a Quality Management System and Environmental Management System, as a registrant of the ISO 9001:2008 and ISO 14001:2004 standards.



Egan TeamBoard, Inc.
International

Tel +1-905-851-2826
Fax +1-905-851-3426

www.egan.com
www.teamboard.com

Egan TeamBoard, Inc.
US Eastern / Central States & Canada

Tel +1-905-851-2826 1-800-263-2387
Fax 1-888-609-8886

sales@teamboard.com

Egan TeamBoard, Inc.
US Mountain and Western States

Tel +1-323-720-1336 1-800-826-1778
Fax 1-800-726-1314

support@teamboard.com

