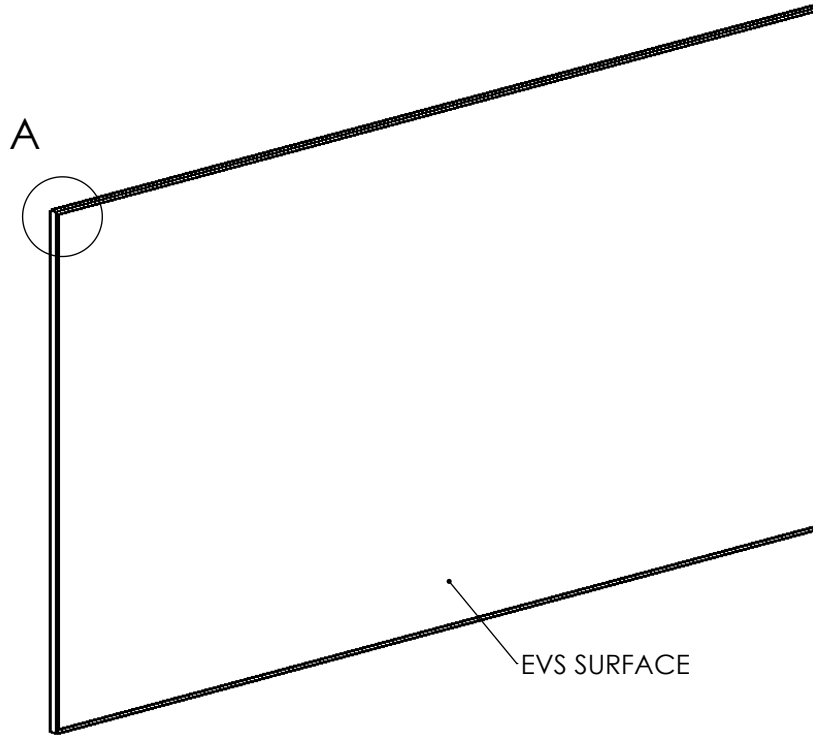
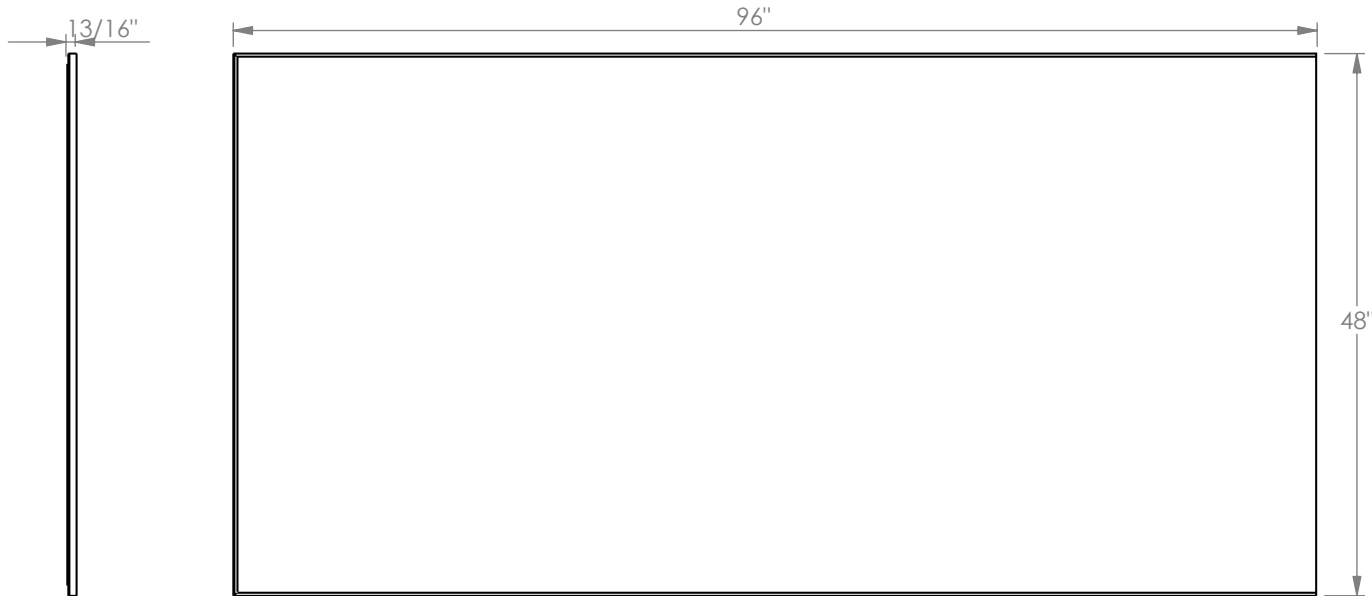


DETAIL A



EVS SURFACE



PRODUCT
IESOL9648
23/06/2006