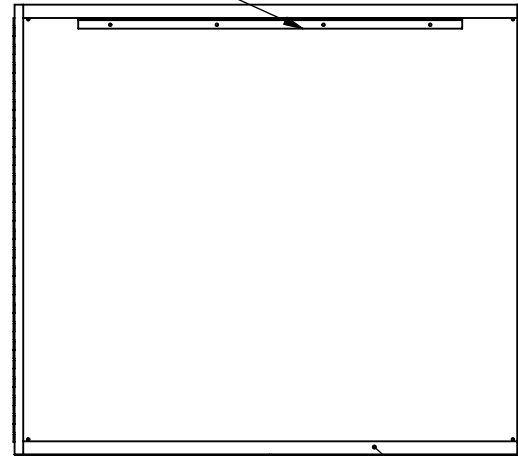
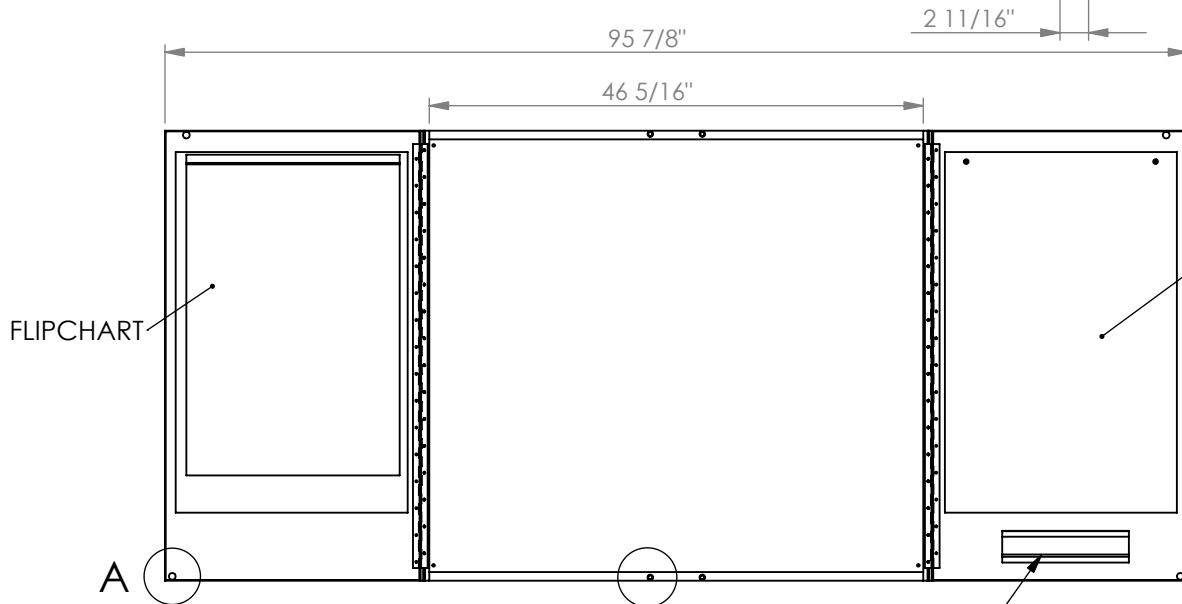


MOUNTING BRACKET



BACK VIEW

CLEAR ANODIZED FRAME



A

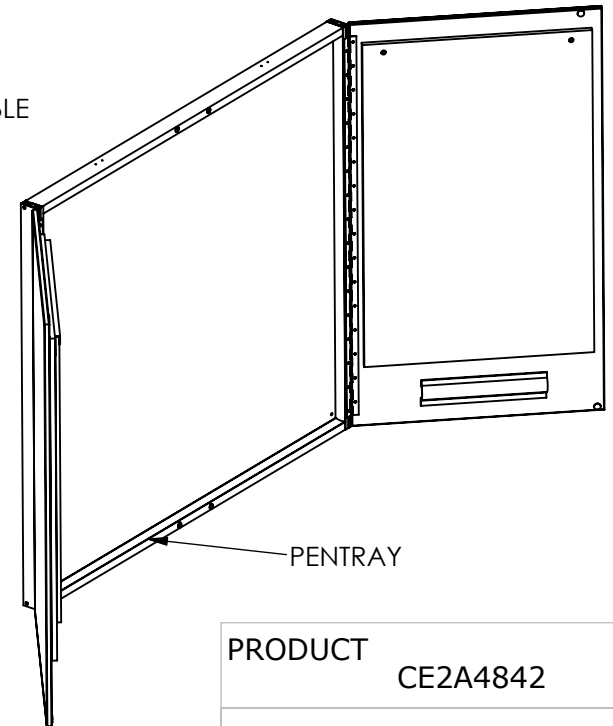
DETAIL A

B

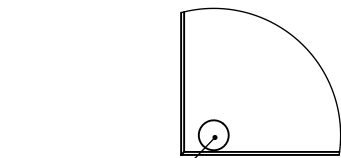
DETAIL B

CLOTH HOLDER

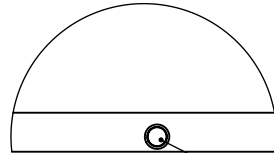
TACKABLE PANEL



PEN TRAY



MAGNET PLATE



MAGNET

PRODUCT CE2A4842

23/01/2007