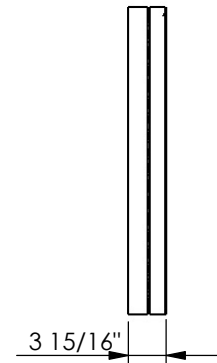
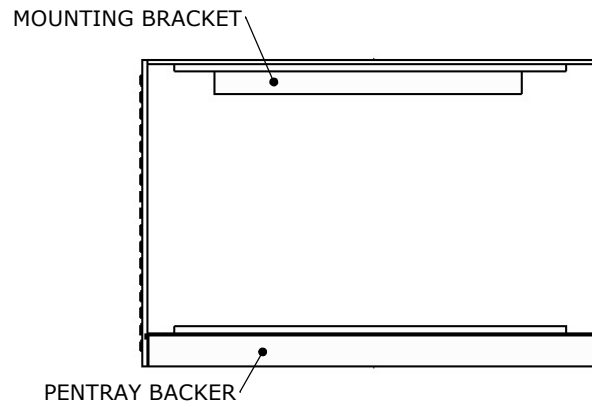
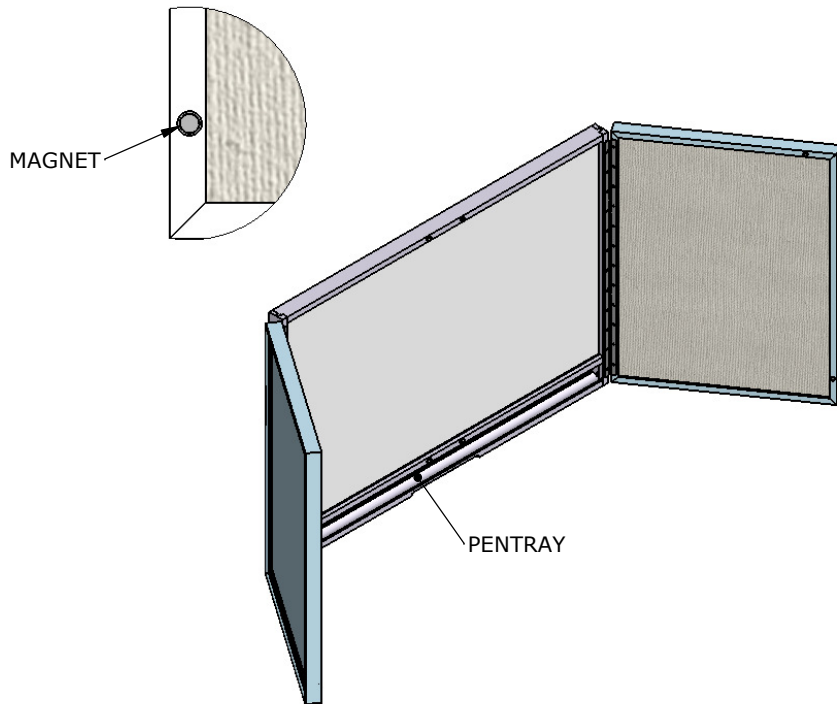


DETAIL A



CATW32
07/03/2006