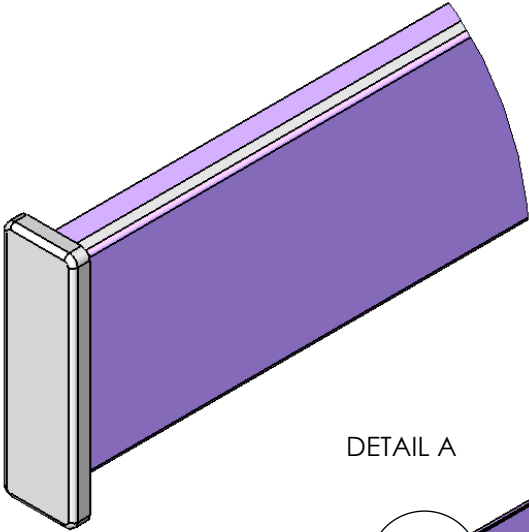
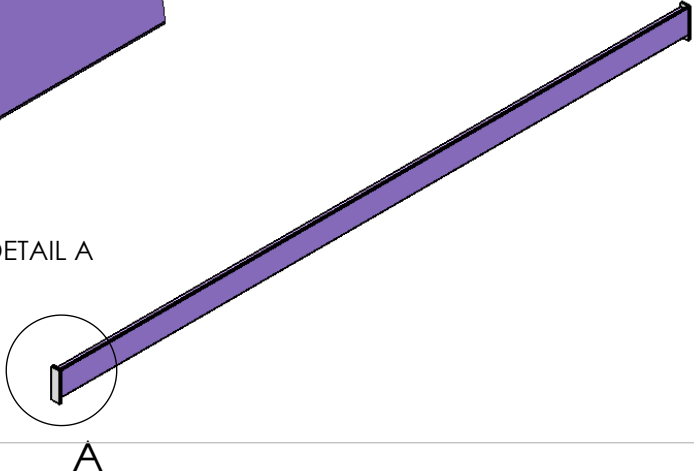


SECTION B-B



DETAIL A



A

PRODUCT
AVBM37
18/05/2006