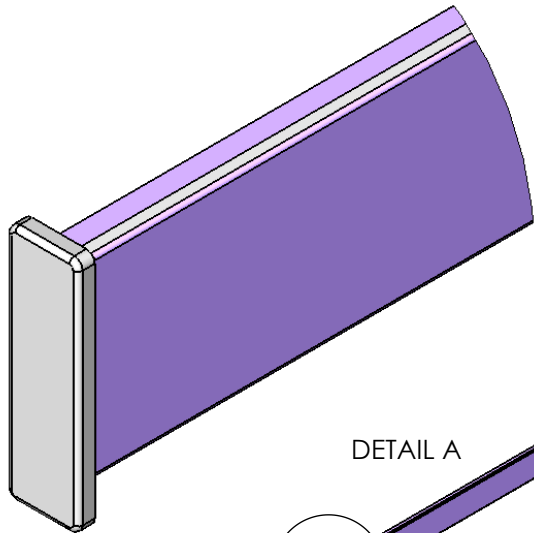
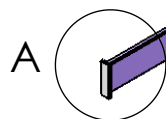


SECTION B-B



DETAIL A



PRODUCT
AVBG49
19/05/2006