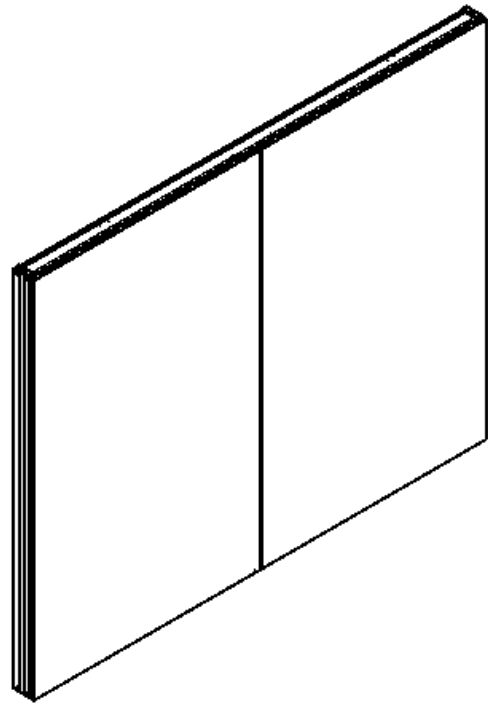


Installation Instructions
EganCabinet 202
CE2A6048 & 4842
CE2B6048 & 4842



Hardware
HARDWARE:
Safety Bracket x2

#5-7/16 screws x4

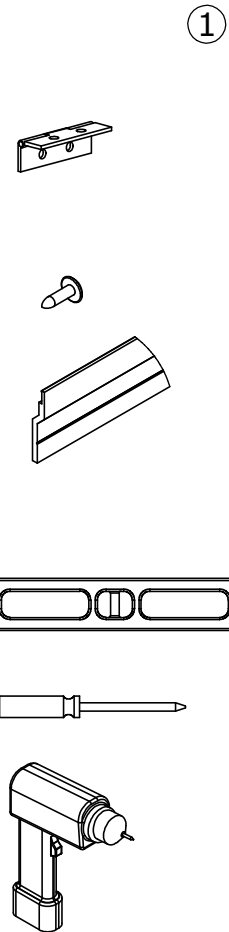
Mounting Bracket x1

Tools

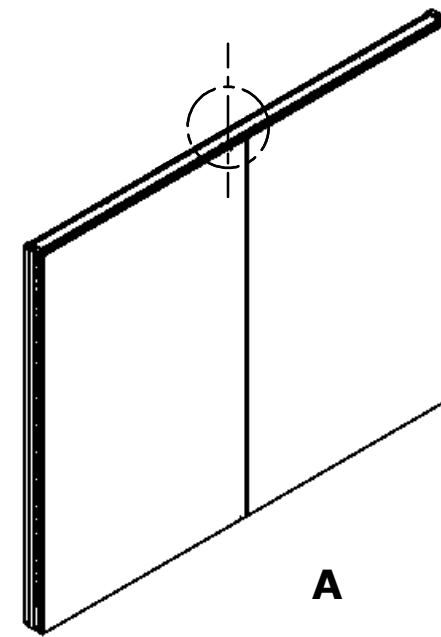
Level

Phillips screw driver

Drill



①



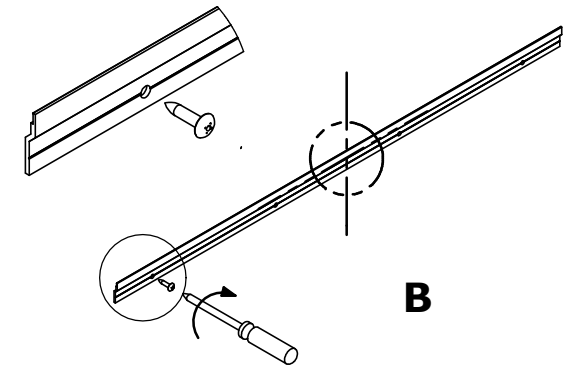
A

Position the supplied mounting bracket at the desired height from the floor. (when installed, the finished cabinet height is approx. 2" from the bottom of the mounting bracket.) as shown in **A**.

②

Installer will provide fastening hardware best suited to wall type and cabinet weight.

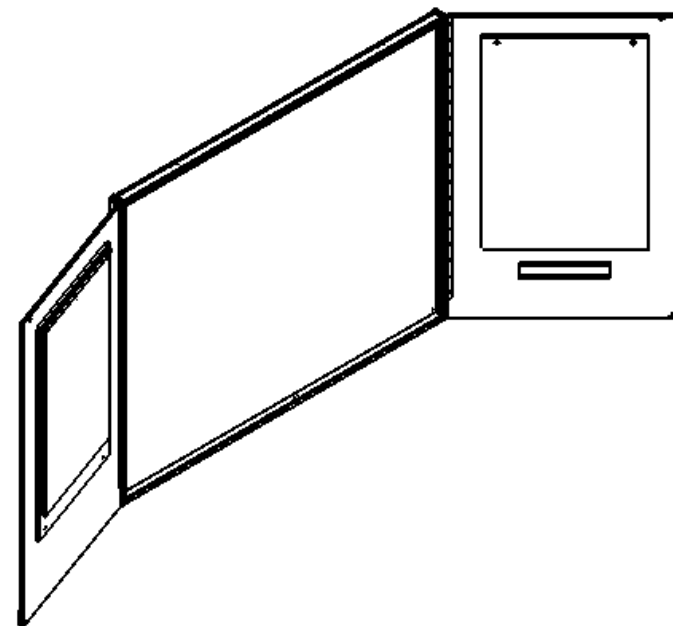
③



B

CAUTION: Ceilings and floors may not always be completely parallel, so adjust bracket level accordingly if necessary.

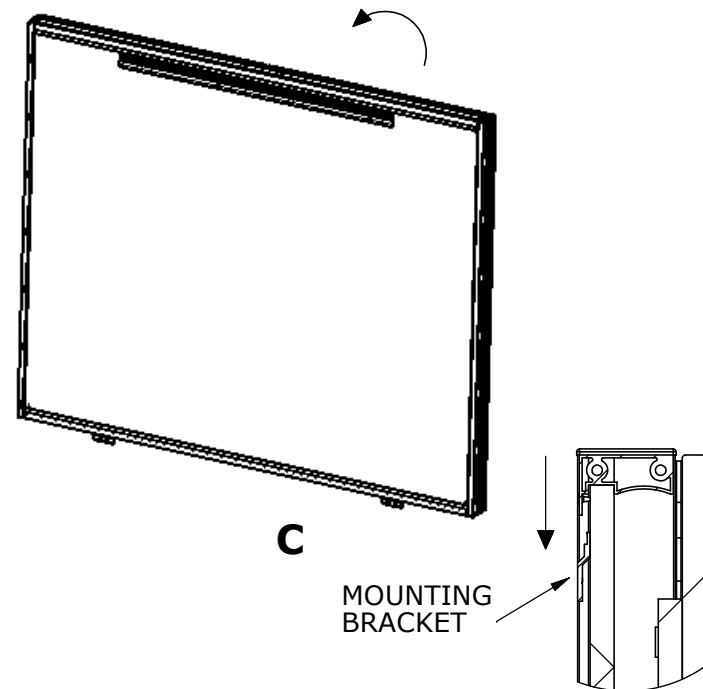
Level and mark the bracket position. Drill appropriate holes through mounting bracket. Mark and drill mounting holes in wall using positioned bracket as guide. Fasten bracket to wall with appropriate screws as shown in **B**.



Comments
or
Questions?

CALL US!

USA
&
CANADA : 1-800-263-2387

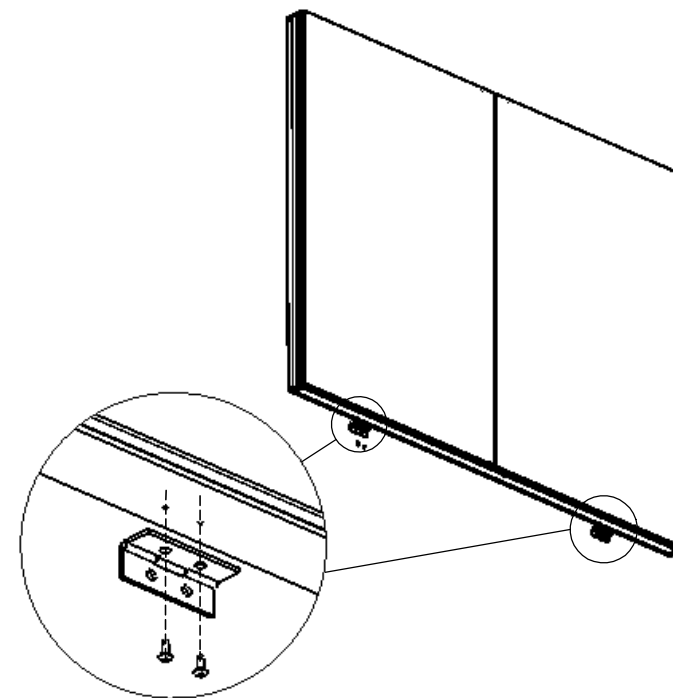


C

MOUNTING
BRACKET

Please ensure to center Cabinet on mounting bracket. Place cabinet onto mounting bracket and slide down to lock into position as shown in **C**. If wall is not true, shims are necessary to allow doors to be closed properly.

④

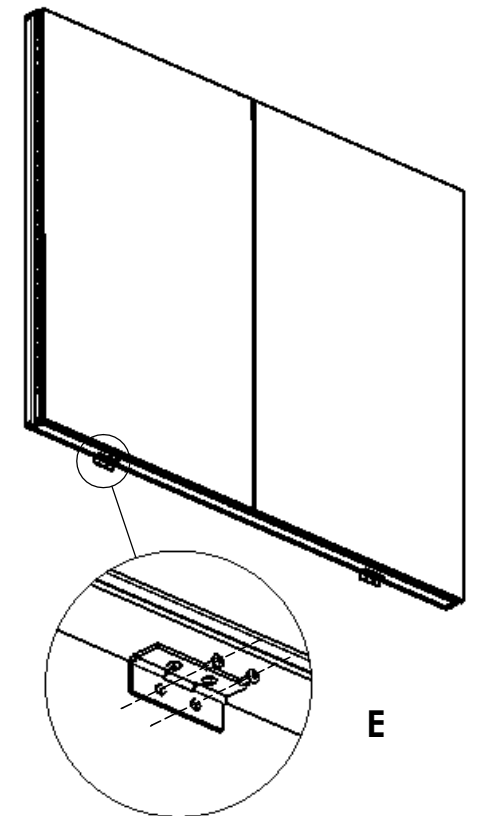


Additional safety brackets are provided to avoid cabinet from being lifted up and off bracket.

Flip-down bracket and mark hole locations.

Flip-up bracket and drill for appropriate wall screws as shown in **D**.

⑤



E

Flip hinge down and attach screws as shown in **E**.

⑥